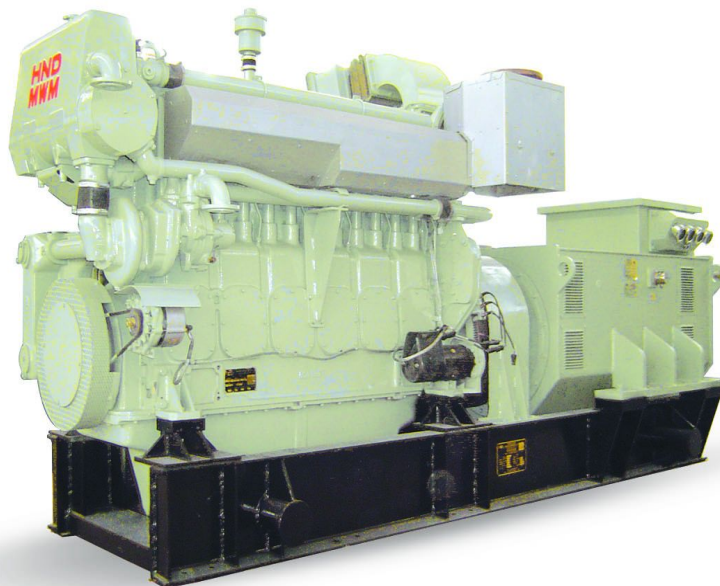




**Taizhou Fengde Mechanical&Electrical  
Manufacturing Co.,Ltd.**

*<http://www.foundgenerator.com>*

**Model : CCFJ1200JW  
Technical Data Sheet**



**NO:CCFJ2014**

**© 2014 Taizhou Fengde Mechanical&Electrical Manufacturing Co.,Ltd.**



**ISO9001:2008  
Fengde Generating Sets**

*Page: 1/5*



## STANDARD SPECIFICATION

### General features:

- Coupled with HND-MWM diesel engine and Marathon alternator
- 24V DC start motor
- Brushless, Self-excited, IP23, insulation class H alternator
- All qualified generator sets are subjected to a comprehensive performance test which includes 50% load, 75% load, 100% load, 110% load and to check, verify that all control systems, alarm and shut-down protection.



### Genset Technical Data

Prime power	1200 kW
Standby power	1500 kW
Rated speed	1800 RPM
Output frequency	60 Hz
Phase	3
Rated voltage	440 V
Engine model	TBD620V12
Alternator model	MX-H-1200-4

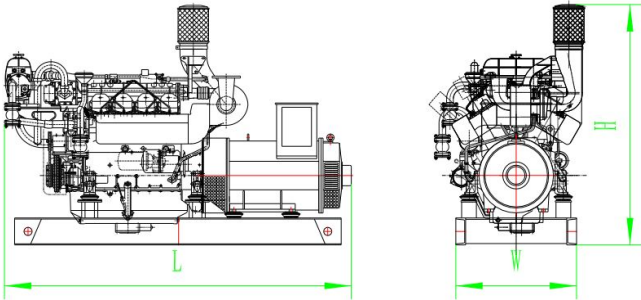
### Advantages

- Stability, reliability and easy-service
- Low operating and maintenance cost
- Widely used, location to meet customer needs
- Easy-installation, easy-operation and maintenance

### Criterion

- GB/T13032-1991
- ISO9001:2008 Quality Control System
- CCS approved

## Dimension and Weight



### Open Type

Overall size (L\*W\*H)  
4795\*1965\*2275 mm  
**Weight:9500kg**  
For reference only

## ENGINE SPECIFICATION

### HND-MWM Diesel Engine

Engine Model	TBD620V12
Number of Cylinders	12 cylinders in V
Cycle	4 stroke
Aspiration	Turbocharged
Bore×Stroke	170 x195 mm
Displacement	53.16L
Compression ratio	13.5:1
Prime Power/Speed	1364KW/1800rpm
Speed Governor	Electrical
Cooling System	By heat exchanger
Fuel Consumption at 100% Load	275.29L/H
Starter Motor	DC24V,

## Alternator SPECIFICATION

### Marathon Alternator (Standard)

Alternator model	MX-H-1200-4
Alternator manufacturer	Marathon
Exciter type	Single bearing, Brushless, Self-excited
Rated output prime power	1200 Kw
Rated speed	1800 RPM
Rated frequency	60 Hz
Phase	3
Rated voltage	440 V(Available with customer requirements)
Power factor	0.8
Voltage adjust range	≥5%
Voltage regulation NL-FL	≤±1%
Insulation grade	H
Protection grade	IP23

## Control System

### Control System MFKC200AG

All FENGDE marine gensets have a control cubicle mounted on a isolated support, which has the following features.

- Microcomputer digital control, and reliable work
- Digital display of parameters of diesel engine, and integration of measuring and monitoring
- Modularization of functional configuration, and integration of product structures
- Resistance to vibration, humidity, salt mist and high/low temperature
- Powerful ability to resist interference, convenient installation and use, and high performance-price ratio
- Remote monitoring of running parameters
- Automatic zero set of lubricating oil pressure
- Accumulation of running period of diesel engine

#### *The control module display*

- Lube oil temperature
- Lube oil pressure
- Water temperature
- Engine speed
- Battery voltage
- Engine run-time (Hours)



#### *Function*

- Speed high
- Pressure low
- Pressure lower
- Water temperature high
- Water temperature higher
- Power
- Alarm
- Run
- Charge
- Start
- Stop

#### *Keys and bottoms*

- Start
- Self-test
- Timer
- Mute
- Reset
- Stop

Remarks: For the specific and detailed features of the above types, please refer to "Control System Selection" file.

## Supply documents

<b>a. Alternator</b> operation and maintenance manual CCS certificate	1PC 1PC
<b>b. Engine</b> operation and maintenance manual CCS certificate	1PC 1PC
<b>c. Generator</b> CCS certificate Overall drawings of the set ELECTRINIC SYSTEM DRAWING Bench test Packing list	1PC 1PC 1PC 1PC 1PC
<b>d. Control panel</b> CCS certificate operation and maintenance manual	1PC 1PC

## Warranty

One year or 1000 working hours from the shipment date, whichever comes first.

## Picture of packing



FENGDE reserves the right to change the specifications and designs without notice.

### **WARNING:**

Do not connect generator sets to any load and electrical equipments unless the circuit breaker in the disconnected condition.