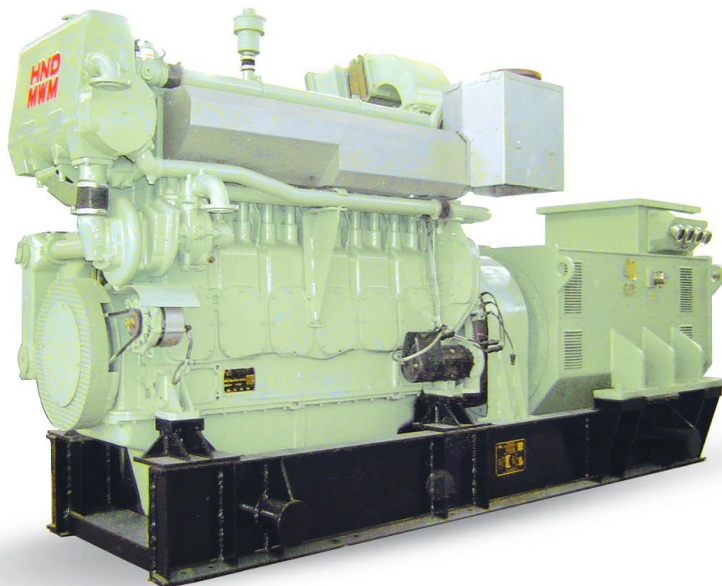




**Taizhou Fengde Mechanical&Electrical
Manufacturing Co.,Ltd.**

<http://www.foundgenerator.com>

**Model : CCFJ1100JW
Technical Data Sheet**



NO:CCFJ2014

© 2014 Taizhou Fengde Mechanical&Electrical Manufacturing Co.,Ltd.



**ISO9001:2008
Fengde Generating Sets**

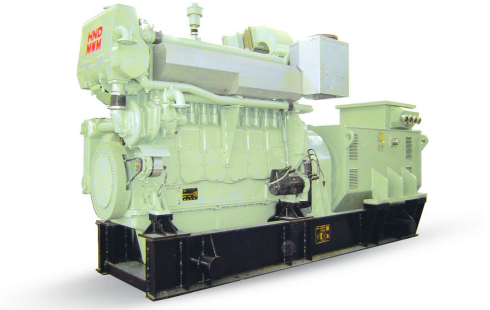
Page: 1/5



STANDARD SPECIFICATION

General features:

- Coupled with HND-MWM diesel engine and Marathon alternator
- 24V DC start motor
- Brushless, Self-excited, IP23, insulation class H alternator
- All qualified generator sets are subjected to a comprehensive performance test which includes 50% load, 75% load, 100% load, 110% load and to check, verify that all control systems, alarm and shut-down protection.



Genset Technical Data

Prime power	1100 kW
Standby power	1375 kW
Rated speed	1500 RPM
Output frequency	50 Hz
Phase	3
Rated voltage	400 V
Engine model	TBD620V12
Alternator model	MX-H-1100-4

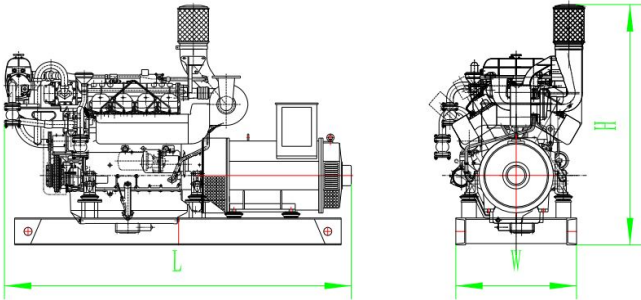
Advantages

- Stability, reliability and easy-service
- Low operating and maintenance cost
- Widely used, location to meet customer needs
- Easy-installation, easy-operation and maintenance

Criterion

- GB/T13032-1991
- ISO9001:2008 Quality Control System
- CCS approved

Dimension and Weight



Open Type

Overall size (L*W*H)

4795*1695*2275 mm

Weight:9500kg

For reference only

ENGINE SPECIFICATION

HND-MWM Diesel Engine

Engine Model	TBD620V12
Number of Cylinders	12 cylinders in V
Cycle	4 stroke
Aspiration	Turbocharged
Bore×Stroke	170 x195 mm
Displacement	35.44L
Compression ratio	13.5:1
Prime Power/Speed	1251KW/1500rpm
Speed Governor	Electrical
Cooling System	By heat exchanger
Fuel Consumption at 100% Load	244.59L/H
Starter Motor	DC24V,

Alternator SPECIFICATION

Marathon Alternator (Standard)

Alternator model	MX-H-1100-4
Alternator manufacturer	Marathon
Exciter type	Single bearing, Brushless, Self-excited
Rated output prime power	1100 Kw
Rated speed	1500 RPM
Rated frequency	50 Hz
Phase	3
Rated voltage	400 V(Available with customer requirements)
Power factor	0.8
Voltage adjust range	≥5%
Voltage regulation NL-FL	≤±1%
Insulation grade	H
Protection grade	IP23

Control System

Control System

All FENGDE marine gensets have a control cubicle (the ENDA MFKC200AG as standard) mounted on a isolated support, which has the following features.

- Microcomputer digital control, and reliable work
- Digital display of parameters of diesel engine, and integration of measuring and monitoring
- Modularization of functional configuration, and integration of product structures
- Resistance to vibration, humidity, salt mist and high/low temperature
- Powerful ability to resist interference, convenient installation and use, and high performance-price ratio
- Remote monitoring of running parameters
- Automatic zero set of lubricating oil pressure
- Accumulation of running period of diesel engine

The control module display

- Lube oil temperature
- Lube oil pressure
- Water temperature
- Engine speed
- Battery voltage
- Engine run-time (Hours)



Function

- Speed high
- Pressure low
- Pressure lower
- Water temperature high
- Water temperature higher
- Power
- Alarm
- Run
- Charge
- Start
- Stop

Keys and buttons

- Start
- Self-test
- Timer
- Mute
- Reset
- Stop

Remarks: For the specific and detailed features of the above types, please refer to “Control System Selection” file.

Supply documents

a. Alternator operation and maintenance manual CCS certificate	1PC 1PC
b. Engine operation and maintenance manual CCS certificate	1PC 1PC
c. Generator CCS certificate Overall drawings of the set ELECTRINIC SYSTEM DRAWING Bench test Packing list	1PC 1PC 1PC 1PC 1PC
d. Control panel CCS certificate operation and maintenance manual	1PC 1PC

Warranty

One year or 1000 working hours from the shipment date, whichever comes first.

Picture of packing



FENGDE reserves the right to change the specifications and designs without notice.

WARNING:

Do not connect generator sets to any load and electrical equipments unless the circuit breaker in the disconnected condition.