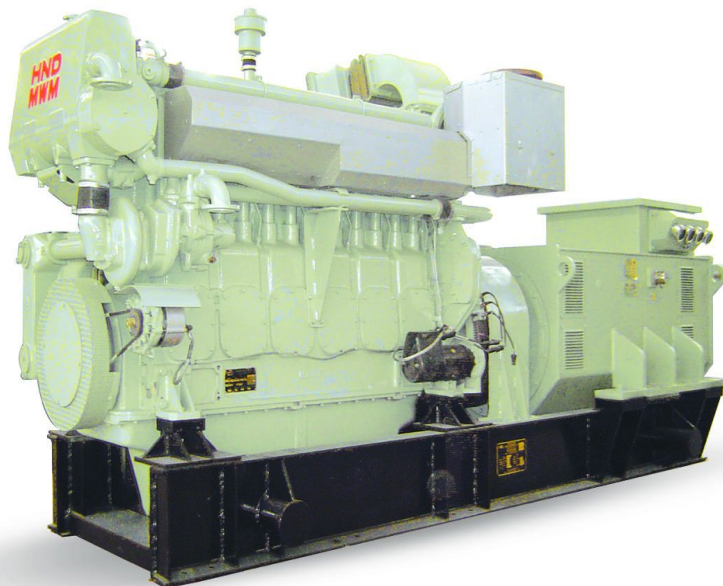




**Taizhou Fengde Mechanical&Electrical
Manufacturing Co.,Ltd.**

<http://www.foundgenerator.com>

**Model : CCFJ1000JW
Technical Data Sheet**



NO:CCFJ2014

© 2014 Taizhou Fengde Mechanical&Electrical Manufacturing Co.,Ltd.



**ISO9001:2008
Fengde Generating Sets**

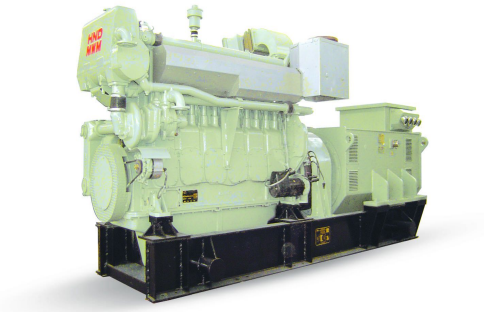
Page: 1/5



STANDARD SPECIFICATION

General features:

- Coupled with HND-MWM diesel engine and Marathon alternator
- 24V DC start motor
- Brushless, Self-excited, IP23, insulation class H alternator
- All qualified generator sets are subjected to a comprehensive performance test which includes 50% load, 75% load, 100% load, 110% load and to check, verify that all control systems, alarm and shut-down protection.



Genset Technical Data

| | |
|------------------|-------------|
| Prime power | 1000 kW |
| Standby power | 1250 kW |
| Rated speed | 1500 RPM |
| Output frequency | 50 Hz |
| Phase | 3 |
| Rated voltage | 400 V |
| Engine model | TBD620V12 |
| Alternator model | MX-H-1000-4 |

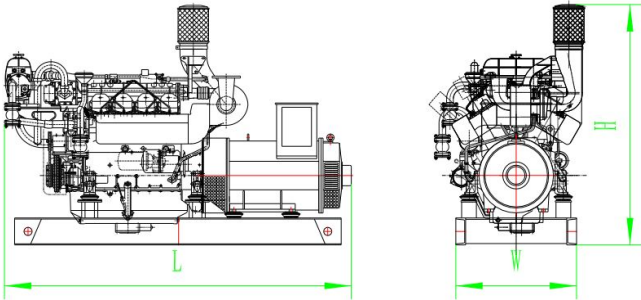
Advantages

- Stability, reliability and easy-service
- Low operating and maintenance cost
- Widely used, location to meet customer needs
- Easy-installation, easy-operation and maintenance

Criterion

- GB/T13032-1991
- ISO9001:2008 Quality Control System
- CCS approved

Dimension and Weight



Open Type

Overall size (L*W*H)
4795*1695*2275 mm

Weight:9500kg

For reference only

ENGINE SPECIFICATION

HND-MWM Diesel Engine

| | |
|-------------------------------|-------------------|
| Engine Model | TBD620V12 |
| Number of Cylinders | 12 cylinders in V |
| Cycle | 4 stroke |
| Aspiration | Turbocharged |
| Bore×Stroke | 170 x195 mm |
| Displacement | 35.44L |
| Compression ratio | 13.5:1 |
| Prime Power/Speed | 1251KW/1500rpm |
| Speed Governor | electrical |
| Cooling System | By heat exchanger |
| Fuel Consumption at 100% Load | 189 g/kw.h |
| Starter Motor | DC24V, |

Alternator SPECIFICATION

Marathon Alternator (Standard)

| | |
|--------------------------|---|
| Alternator model | MX-H-1000-4 |
| Alternator manufacturer | Marathon |
| Exciter type | Single bearing, Brushless, Self-excited |
| Rated output prime power | 1000 Kw |
| Rated speed | 1500 RPM |
| Rated frequency | 50 Hz |
| Phase | 3 |
| Rated voltage | 400 V(Available with customer requirements) |
| Power factor | 0.8 |
| Voltage adjust range | ≥5% |
| Voltage regulation NL-FL | ≤±1% |
| Insulation grade | H |
| Protection grade | IP23 |

Control System

Control System

All FENGDE marine gensets have a control cubicle mounted on a isolated support, which has the following features.

- Microcomputer digital control, and reliable work
- Digital display of parameters of diesel engine, and integration of measuring and monitoring
- Modularization of functional configuration, and integration of product structures
- Resistance to vibration, humidity, salt mist and high/low temperature
- Powerful ability to resist interference, convenient installation and use, and high performance-price ratio
- Remote monitoring of running parameters
- Automatic zero set of lubricating oil pressure
- Accumulation of running period of diesel engine

The control module display

- Lube oil temperature
- Lube oil pressure
- Water temperature
- Engine speed
- Battery voltage
- Engine run-time (Hours)



Function

- Speed high
- Pressure low
- Pressure lower
- Water temperature high
- Water temperature higher
- Power
- Alarm
- Run
- Charge
- Start
- Stop

Keys and bottons

- Start
- Self-test
- Timer
- Mute
- Reset
- Stop

Remarks: For the specific and detailed features of the above types, please refer to "Control System Selection" file.

Supply documents

| | |
|--|---------------------------------|
| a. Alternator operation and maintenance manual CCS certificate | 1PC 1PC |
| b. Engine operation and maintenance manual CCS certificate | 1PC 1PC |
| c. Generator CCS certificate Overall drawings of the set ELECTRINIC SYSTEM DRAWING Bench test Packing list | 1PC 1PC 1PC 1PC 1PC |
| d. Control panel CCS certificate operation and maintenance manual | 1PC 1PC |

Warranty

One year or 1000 working hours from the shipment date, whichever comes first.

Picture of packing



FENGDE reserves the right to change the specifications and designs without notice.

WARNING:

Do not connect generator sets to any load and electrical equipments unless the circuit breaker in the disconnected condition.